



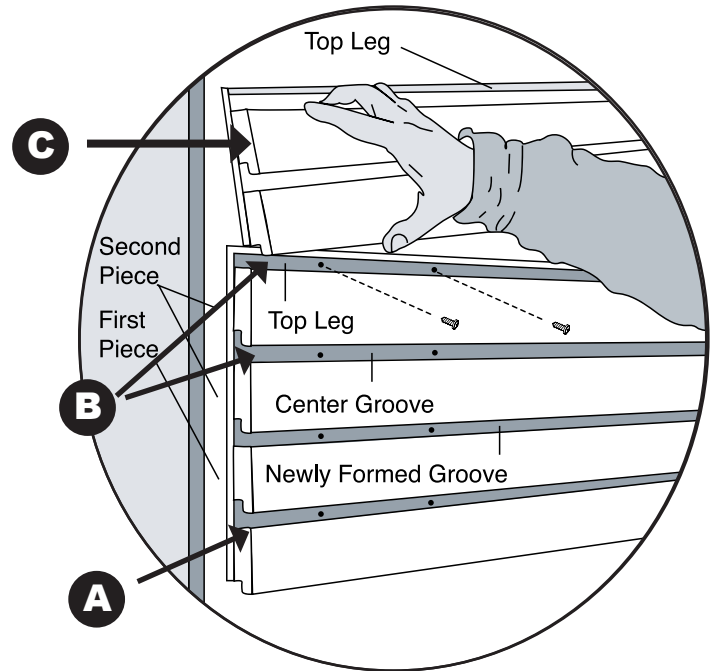
Installation Instructions for 96" W X 48" H SLATWALL SYSTEM

Kit Includes:

- 8 Slat Wall boards
- 2 Vertical edge trim pieces
- 112 screws
- Assembly support

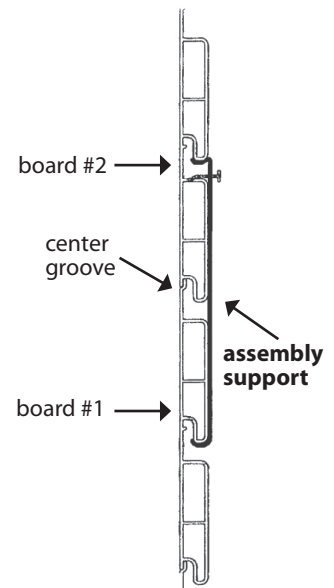
Notes:

- 112 Pan head screws are required for installation.
- Plan the placement of the bottom board accordingly to allow proper space to build upwards.
- It is recommended that heavier objects be hung from slat wall accessories which are located next to screw heads for additional strength.



STUD WALL APPLICATION:

1. Take your first slat wall board with the top leg (figure A) pointed up. Position where you want the bottom of your slat wall system and level it. This step is critical for proper mounting and professional looking installation!
2. Drive screws through the center groove and top leg (figure B) into wall studs. Each 96" slat wall board requires 14 screws.
3. Place next panel (top leg up, figure C) onto previously installed piece using the assembly support connecting the two center grooves (see diagram on right) which is required to maintain the proper groove gap for slat wall accessories.
4. Secure second board with screws as instructed in #2. Remove the assembly support and place in the next center groove of this installed board.
5. Repeat steps #3 and #4 to complete the wall.
6. Remove backing from tape on vertical edge trim pieces. Adhere one to each side edge of a 8' x 4' wall with the adhesive sticking to the front of the assembled slat wall system.



DRYWALL APPLICATION:

1. Locate studs and proceed with previous steps #1 through #6 for stud wall application.

Jifram Extrusions Inc.
www.jifram.com

920-467-2477